

# 1000 Series

## LIGHT DUTY FOR DC APPLICATIONS



### FEATURES AND BENEFITS

- Full weather permanently connected.
- Individually fused Metal Oxide Varistors (MOVs).
- May be used on grounded (+ or -) or floating power systems, for DC or low voltage AC (up to 400Hz).
- LED indicates proper functioning of L-L and L-G MOVs.

### AVAILABLE CONFIGURATIONS

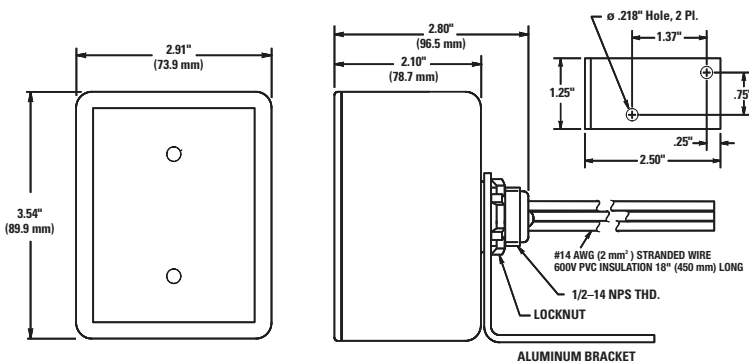
Model Number	kA Per Phase	DC Voltage	AC Voltage
1020-30	25kA	30Vdc	25Vac
1020-60	50kA	60Vdc	45Vac
1020-90	50kA	90Vdc	65Vac
1020-150*	50kA	150Vdc	110Vac

\*Model 1020-150 is not intended for use on 110/120 Vac power system.

#### Warranty

3-years

### DIMENSIONAL SPECIFICATIONS



Schematic shown in vertical position. (Photo shown in horizontal position)

### PRODUCT SPECIFICATIONS

#### Electrical

Nominal Discharge Current Rating (I-n)	None
Operating Frequency	AC/DC 0–400 Hz
Connection Methods	Mounts through 1/2" knockout or by its bracket Connects in parallel with load
Modes of Protection	L-L, L-G
Response Time	Less than 1 nanosecond
Standard Monitoring	LED status indicator lights (one per line)

#### Mechanical

Weight	1.5 lbs. (.7kg)
Enclosure Type	NEMA 1
Installation Location	Indoor
Operating Environment	-40° to +176°F (-40° to +80°C)
Altitude	Up to 16,400 ft. (5000 m)
Product Design	Individually fused MOVs Overcurrent Fusing Thermal Fusing

#### Regulatory

Requirements are discretionary and respective to the product application



# Surgitron<sup>®</sup> III -21 Series Type 2

**MEDIUM DUTY FOR RESIDENTIAL  
OR INDUSTRIAL APPLICATIONS**



## FEATURES AND BENEFITS

- Listed to UL 1449 3rd Edition for a Type 2 SPD application.
- Individual fusing for each Metal Oxide Varistors (MOVs).
- LED indicates proper functioning of L-N and N-G MOVs

## PRODUCT SPECIFICATIONS

### Electrical

Nominal Discharge Current Rating (I-n)	20kA
Operating Frequency	47–63Hz
Connection Methods	Parallel to Load (shunt) #14 AWG wires
Modes of Protection	1261-21 L-N, L-G, N-G 1263-21 L-L 1452-21 L-N, L-G, N-G, L-L 1456-21 L-N, L-G, N-G, L-L 1456-21-D LG, L-L 1457-21 L-N, L-G, N-G, L-L
Fault Rating (SCCR)	100kAIC
Response Time	Less than 1 nanosecond (one per phase)
Standard Monitoring	LED status indicator lights

### Mechanical

Weight	2 lbs. (.9 kg)
Enclosure Type	NEMA 1, Non-metallic
Installation Location	Indoor
Mounting Method	1/2" – 14 NPS Thread (Aluminum Bracket Optional)
Operating Environment	-40° to +176°F (-40° to +80°C)
Altitude	Up to 16,400 ft. (5000 m)
Product Design	Individually fused MOVs

### Regulatory

UL 1449 3rd Edition Type	Type 2
UL 1283	No
IEEE C62.41.1, .2, C62.45	Yes
Listed By	UL

## AVAILABLE CONFIGURATIONS

Model Number	kA Per Phase	Voltage	Configuration
1261-21	40kA	277V	1-Phase, 2-Wire + Ground
1263-21	40kA	480V	1-Phase, 2-Wire
1452-21	40kA	120/240V	3-Phase High-Leg Delta, 4-Wire + Ground
1456-21	40kA	277/480V	3-Phase, 4-Wire + Ground
1456-21-D	40kA	480V	3-Phase, 3-Wire + Ground
1457-21	40kA	230/400V	3-Phase, 4-Wire + Ground

### Warranty

3-years

### Available Options

Mounting Bracket Add suffix -B